

## 銀科工業的承諾

### 產品售後服務



所有經銀科工業售出的產品均享有一年產品質量保證，以及14天內退換保證（以出貨日期為準）

如在正常使用和正確安裝的情況下出現損壞，我們定會為您提供免費換貨

**香港總公司:**

**銀科工業(香港)有限公司**  
香港荃灣沙咀道66A號豪力中心2108室  
電話: (852) 2499 9168  
傳真: (852) 2417 9183 8343 6887  
電郵: sales@silvertech.com.hk  
網址: www.silvertech.com.hk

**東莞分公司:**

**東莞動力銀科工業配件有限公司**  
東莞市塘廈鎮橋龍大道23號銀科大樓  
電話: (86-769) 8798 1699 8798 2699  
8625 2718 (10Line)  
傳真: (86-769) 8798 1313 8625 2719  
電郵: dgoffice@silvertech.com.hk

**青島辦事處:**

青島市市南區寧夏路268號商務樓B413室  
電話: (86-532) 8575 5305  
傳真: (86-532) 8571 5015  
電郵: qdoffice@silvertech.com.hk

**深圳工廠:**

銀錕德傳動件制造(深圳)有限公司

**成都工廠:**

成都銀科同步帶輪製造有限公司

**常州工廠:**

常州銀科傳動件有限公司

**Hong Kong Headquarters:** (For Import & Export Sales)

**Silvertech Industrial (H.K.) Ltd.**  
Rm.2108, Ho Lik Centre, 66A Sha Tsui Road, Tsuen Wan, Hong Kong.  
Tel: (852) 2499 9168  
Fax: (852) 2417 9183 8343 6887  
Email: sales@silvertech.com.hk  
Web Site: www.silvertech.com.hk

**China Guangdong Branch Office:** (For Domestic Sales)

**Silvertech Industrial (Dong Guan) Ltd.**  
Silvertech Building, 23 Qiao Long Road, Tangxia, Dongguan, Guangdong, China.  
Tel: (86-769) 8798 1699 8798 2699  
8625 2718 (10Lines)  
Fax: (86-769) 8798 1313 8625 2719  
Email: dgoffice@silvertech.com.hk

**China Qingdao Sales Office:** (For Domestic Sales)

Rm.B413, No. 268, Ningxia Road, Qingdao, Shandong, China  
Tel: (86-532) 8575 5305  
Fax: (86-532) 8571 5015  
Email: qdoffice@silvertech.com.hk

**China Shen Zhen Factory:**

**Madler-Silvertech Power Transmission Components (Shen Zhen) Ltd.**

**China Cheng Du Factory:**

**Cheng Du Silvertech Timing Pulleys Manufacturing Ltd.**

**China Chang Zhou Factory:**

**Chang Zhou Silvertech Power Transmission Products Ltd.**

服務投訴電話: (852) 2499 9168、(86) 138 2697 1737

SILVERTECH

www.silvertech.com.hk

專業製造

# SILVERTECH 銀科工業



**STI** 高品質傳動件 High Quality Power Transmission Products

www.silvertech.com.hk

選銀科工業 • 做最好機械  
Your 1st choice for Industrial Products



### 公司簡介

銀科工業(香港)有限公司 – 成立於1992年，總部位於香港，分公司和工廠設於中國內地。公司的主要業務及經營範圍：生產 **STI** 品牌屬下的高質量工業傳動零部件，出口外銷至歐美及其它世界各國，同時也內銷至大中華地區。此外，我們還進口德國、瑞士、意大利、美國、日本和台灣等國家和地區的高科技工業產品，並且是這些世界級著名品牌的大中華區域總代理。

累積近乎二十年服務海外和大中華客戶的經驗，我們不斷的總結、不斷發展、不斷進步，因此而奠下了堅實的基礎，在海內外業界均享有優良的聲譽和知名度。銀科工業無論由：原材料採購 – 生產管理 – 質量控制 – 倉存量控制 – 銷售方式 – 技術支援 – 包裝付運 – 跟蹤到貨 – 售後服務等等，每一環節都務求做到盡善盡美，因為我們切身體會只有得到客戶的信賴才是公司發展的最大希望！

在系統化的在職培訓再加上員工對公司的歸屬感，大家分別工作於香港、東莞、深圳、青島、成都和常州，今天的銀科工業已擁有一支非常專業且盡責的團隊，為國內外工業界提供優質產品，為貼近客戶而盡我們所能！

“選銀科工業 做最好機械” 這不僅是我們的承諾，更是對客戶的責任。

### About us

Silvertech Industrial (HK) Ltd was established in 1992, with its headquarter in Hong Kong, and branches as well as factories in mainland China. Our business focuses on the production of high quality power transmission parts under the brand **STI**.

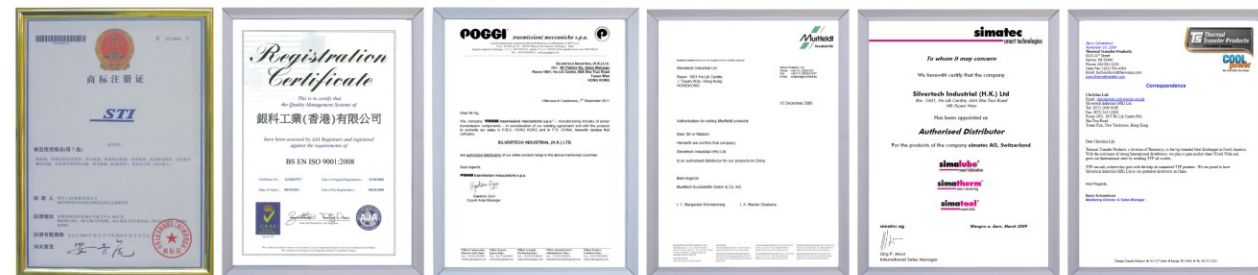
Our products are very popular in the global markets, such as Europe, North American, and Greater China Area. In addition, we are the exclusive dealer in the Greater China Area for a few world-renowned high tech industrial products from Germany, Switzerland, Italy, USA, Japan and Taiwan.

We are growing stronger with almost twenty years experience of serving clients in overseas and Greater China Area. Silvertech Industrial has well developed world reputation and brand loyalty. We arm to provide perfection in our value net, such as procurement of material, production management, quality control, stock and storage, marketing, technical support, logistics, and after sale service. It is our ultimate goal to maintain the trust from our clients and continue with sustainable growth.

Our company engages in systemic on the job training and invests in corporate human resource. We have developed an extremely competent and dedicated team working in Hong Kong, Dongguan, Shenzhen, Qingdao, Chengdu, and Changzhou. We are known as the company providing the best products and service for our customers.

Our promise: **Silvertech – Your 1st choice for Industrial Products**  
We take this promise as our responsibility.

公司秉承“准時、準確、高質量為客戶服務”即二准一高的質量方針，將不斷總結和提高對客戶服務的質量。



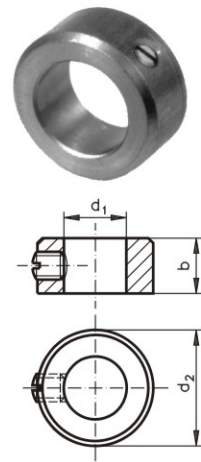
## 目錄 Directory

聯軸器系列	COUPLING	001-010
鏈條系列	ROLLER CHAIN	011-027
鏈輪系列	SPROCKET	028-047
同步帶輪系列	TIMING BELT PULLEY	048-092
正齒輪系列	SPUR GEAR	093-104
軸套卡圈系列	SHAFT COLLAR	105-107
錐套系列	TAPER BUSH	108-110
脹緊連接套系列	LOCKING ASSEMBLY	111-165

带定紧螺丝卡圈(调节套)  
Shaft Collars with Set Screw (Adjusting Rings)

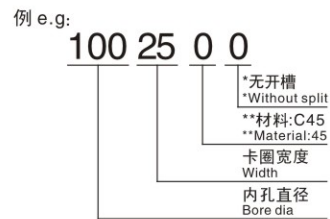
按DIN705A 标准钢件卡圈,  
配备DIN553 标准定紧螺丝

DIN 705 A Made from Steel  
with Set Screws DIN 553



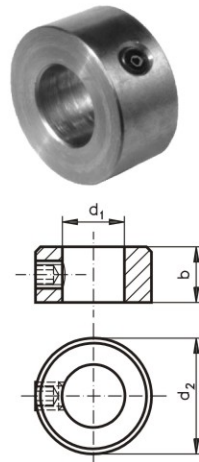
未注及内孔公差H8  
Blank turned and kalibrated.  
Bores tolerance H8.

Product No.	d1 mm	d2 mm	b mm	Weight kg p. %
003 05 0 0	3	7	5	0.12
004 05 0 0	4	8	5	0.15
005 06 0 0	5	10	6	0.28
006 08 0 0	6	12	8	0.54
007 08 0 0	7	12	8	0.48
008 08 0 0	8	16	8	0.94
009 08 0 0	9	16	8	1.51
010 10 0 0	10	20	10	1.85
012 12 0 0	12	22	12	2.52
014 12 0 0	14	25	12	3.17
015 12 0 0	15	25	12	2.98
016 12 0 0	16	28	12	3.84
018 14 0 0	18	32	14	6.00
020 14 0 0	20	32	14	5.30
022 14 0 0	22	36	14	6.90
025 16 0 0	25	40	16	9.56
030 16 0 0	30	45	16	11.1
035 16 0 0	35	56	16	18.7
040 18 0 0	40	63	18	26.1
045 18 0 0	45	70	18	31.7
050 18 0 0	50	80	18	42.9
055 18 0 0	55	80	18	37.3
060 20 0 0	60	90	20	55.2
065 20 0 0	65	100	20	70.8
070 20 0 0	70	100	20	62.6
080 22 0 0	80	110	22	76.8
090 22 0 0	90	125	22	101.0
100 25 0 0	100	140	25	147.0



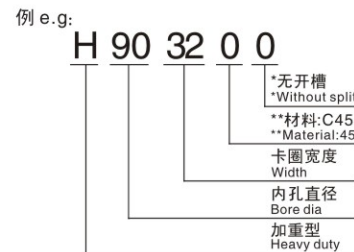
按DIN703 标准钢件卡圈,  
配备DIN914 标准定紧螺丝

DIN 703 Made from Steel  
with Set Screws DIN 914



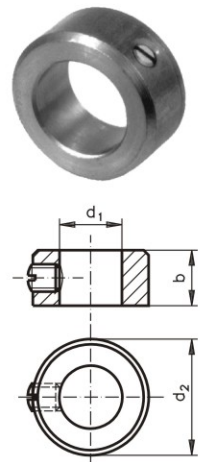
重载系列,未注及内孔公差H8  
Heavy-duty series. Blank turned and kalibrated.  
Bores tolerance H8.

Product No.	d1 mm	d2 mm	b mm	Weight kg p. %
H20 20 0 0	20	40	20	14.6
H25 22 0 0	25	56	22	33.8
H30 22 0 0	30	63	22	41.5
H35 22 0 0	35	70	22	49.6
H40 28 0 0	40	80	28	82.7
H45 28 0 0	45	80	28	75.3
H50 28 0 0	50	90	28	96.3
H55 28 0 0	55	90	28	87.1
H60 28 0 0	60	100	28	110.0
H65 28 0 0	65	100	28	99.6
H70 32 0 0	70	110	32	141.0
H75 32 0 0	75	110	32	127.0
H80 32 0 0	80	125	32	181.0
H85 32 0 0	85	125	32	165.0
H90 32 0 0	90	125	32	148.0



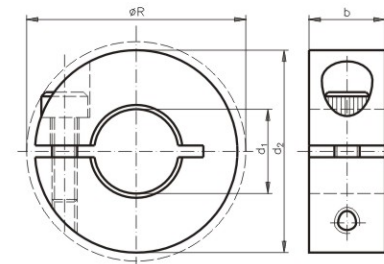
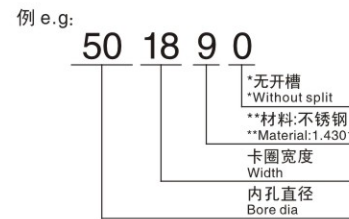
按DIN705A 标准不锈钢 1.4301  
卡圈, 配备DIN553 定紧螺丝

DIN 705 A Stainless Steel 1.4301  
with Set Screws DIN 553

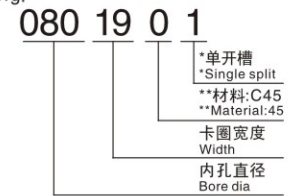


未注及内孔公差H8  
Blank turned and kalibrated.  
Bores tolerance H8

Product No.	d1 mm	d2 mm	b mm	Weight kg p. %
04 05 9 0	4	8	5	0.15
05 06 9 0	5	10	6	0.28
06 08 9 0	6	12	8	0.54
07 08 9 0	7	12	8	0.48
08 08 9 0	8	16	8	0.94
09 08 9 0	9	16	8	1.51
10 10 9 0	10	20	10	1.85
12 12 9 0	12	22	12	2.52
14 12 9 0	14	25	12	3.17
15 12 9 0	15	25	12	2.98
16 12 9 0	16	28	12	3.84
18 14 9 0	18	32	14	6.00
20 14 9 0	20	32	14	5.30
22 14 9 0	22	36	14	6.90
25 16 9 0	25	40	16	9.56
30 16 9 0	30	45	16	11.1
35 16 9 0	35	56	16	18.7
40 18 9 0	40	63	18	26.1
45 18 9 0	45	70	18	31.7
50 18 9 0	50	80	18	42.9



例 e.g:



卡圈, 定位轴套单边夹紧式  
Shaft Collars, Clamp Collars Single-Split

材料: C45 钢发黑, 不锈钢 1.4301, 铝 6061

产品特性: 不伤害轴, 轴套夹持力强,  
而且夹持力能均衡分布于轴上,  
容易调节, 高精度内孔。

厚度 b 公差: +0.08mm/-0.25mm

耐温范围: -40°C ~ +175°C

Material: Steel C45 burnished.  
Stainless steel 1.4301.  
Aluminium 6061.

Features: does not damage the shaft, stronger clamping force  
than with set collars, even distribution of clamping forces, easy  
readjustment, precision honed bores.

Tolerance b: +0.08 mm  
-0.25 mm

Temperature range: -40°C to +175°C.

Product No. Steel	Product No. Stainless Steel	Product No. Aluminium	d1 mm	d2 mm	R mm	b mm	Screw DIN 912	Weight Steel g	Weight Alum. g
003 09 0 1	003 09 9 1	003 09 6 1	3	16	20.7	9	M3 x 8	11	4
004 09 0 1	004 09 9 1	004 09 6 1	4	16	20.7	9	M3 x 8	11	4
005 09 0 1	005 09 9 1	005 09 6 1	5	16	20.7	9	M3 x 8	10	4
006 09 0 1	006 09 9 1	006 09 6 1	6	16	20.7	9	M3 x 8	10	4
007 09 0 1	007 09 9 1	007 09 6 1	7	18	22.4	9	M3 x 8	13	5
008 09 0 1	008 09 9 1	008 09 6 1	8	18	22.4	9	M3 x 8	12	5
009 09 0 1	009 09 9 1	009 09 6 1	9	24	26	9	M3 x 8	23	8
010 09 0 1	010 09 9 1	010 09 6 1	10	24	26	9	M3 x 8	22	8
011 11 0 1	011 11 9 1	011 11 6 1	11	28	31.8	11	M4 x 12	39	14
012 11 0 1	012 11 9 1	012 11 6 1	12	28	31.8	11	M4 x 12	38	13
013 11 0 1	013 11 9 1	013 11 6 1	13	30	33.9	11	M4 x 12	43	15
014 11 0 1	014 11 9 1	014 11 6 1	14	30	33.9	11	M4 x 12	42	15
015 13 0 1	015 13 9 1	015 13 6 1	15	34	39.4	13	M5 x 14	65	23
016 13 0 1	016 13 9 1	016 13 6 1	16	34	39.4	13	M5 x 14	63	22
017 13 0 1	017 13 9 1	017 13 6 1	17	36	41.2	13	M5 x 14	72	25
018 13 0 1	018 13 9 1	018 13 6 1	18	36	41.2	13	M5 x 14	69	24
019 15 0 1	019 15 9 1	019 15 6 1	19	40	46.4	15	M6 x 16	100	35
020 15 0 1	020 15 9 1	020 15 6 1	20	40	46.4	15	M6 x 16	97	34
021 15 0 1	021 15 9 1	021 15 6 1	21	42	48.1	15	M6 x 16	107	37
022 15 0 1	022 15 9 1	022 15 6 1	22	42	48.1	15	M6 x 16	103	36
023 15 0 1	023 15 9 1	023 15 6 1	23	45	50.8	15	M6 x 16	122	42
024 15 0 1	024 15 9 1	024 15 6 1	24	45	50.8	15	M6 x 16	117	40
025 15 0 1	025 15 9 1	025 15 6 1	25	45	50.8	15	M6 x 16	114	40
026 15 0 1	026 15 9 1	026 15 6 1	26	48	53.7	15	M6 x 18	133	46
028 15 0 1	028 15 9 1	028 15 6 1	28	48	53.7	15	M6 x 18	123	43
030 15 0 1	030 15 9 1	030 15 6 1	30	54	58.6	15	M6 x 18	163	56
032 15 0 1	032 15 9 1	032 15 6 1	32	54	58.6	15	M6 x 18	156	54
034 15 0 1	034 15 9 1	034 15 6 1	34	57	61.6	15	M6 x 18	174	60
035 15 0 1	035 15 9 1	035 15 6 1	35	57	61.6	15	M6 x 18	171	59
036 15 0 1	036 15 9 1	036 15 6 1	36	57	61.6	15	M6 x 18	163	56
038 15 0 1	038 15 9 1	038 15 6 1	38	60	65	15	M6 x 18	178	61
040 15 0 1	040 15 9 1	040 15 6 1	40	60	65	15	M6 x 18	163	56
042 19 0 1	042 19 9 1	042 19 6 1	42	73	79.4	19	M8 x 25	367	127
045 19 0 1	045 19 9 1	045 19 6 1	45	73	79.4	19	M8 x 25	344	119
048 19 0 1	048 19 9 1	048 19 6 1	48	78	84.2	19	M8 x 25	392	135
050 19 0 1	050 19 9 1	050 19 6 1	50	78	84.2	19	M8 x 25	370	128
055 19 0 1	055 19 9 1	-	55	82	88.8	19	M8 x 25	380	-
060 19 0 1	060 19 9 1	-	60	88	94.0	19	M8 x 25	425	-
065 19 0 1	065 19 9 1	-	65	93	99.8	19	M8 x 25	450	-
070 19 0 1	070 19 9 1	-	70	98	104.5	19	M8 x 25	480	-
075 19 0 1	075 19 9 1	-	75	103	109.1	19	M8 x 25	510	-
080 19 0 1	080 19 9 1	-	80	108	113.8	19	M8 x 25	535	-

钢件卡圈备注 Remarks to collars from steel

发黑后的卡圈, 可以更加提高和完全发挥其功能, 并且降低在轴上打滑的可能性和具有防松防卡死的特性。此外发黑氧化层还能起防锈作用, 再加上使用高强度的锁紧螺丝, 能更有效的锁定在轴上。

The black oxide on the clamping collars is formulated as part of the total performance of the product. It enhances the holding ability of the collar, it efficiently reduces slipping on the

shaft, has anti-stick-slip characteristics and helps to keep the torque rating of the screw within its designed parameters. The oxide layer also provides corrosion protection.

\*\* "0" C45 "6" 铝合金 6061 "9" 不锈钢 1.4301

\* "0" 无开槽 "Without split" "1" 单开槽 "Single split" "4" 双开槽 "Double split"  
www.silvertech.com.hk

\*\* "0" C45 "6" 铝合金 6061 "9" 不锈钢 1.4301

\* "0" 无开槽 "Without split" "1" 单开槽 "Single split" "4" 双开槽 "Double split"  
www.silvertech.com.hk

卡圈, 定位轴套双边夹紧式

Shaft Collars, Clamp Collars Double-Split

材料: C45 钢发黑, 不锈钢 1.4301, 铝 6061

产品特性: 不伤害轴, 轴套夹持力强, 而且夹持力能均衡分布于轴上, 容易调节, 高精度内孔。

厚度 b 公差: +0.08mm/-0.25mm

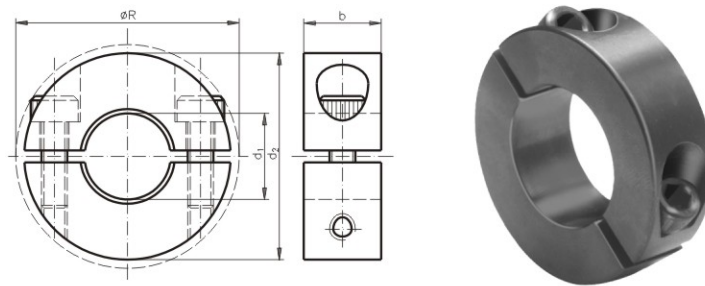
耐温范围: -40°C ~+175°C

Material: Steel C45 burnished, Stainless steel 1.4301, Aluminium 6061.

Features: does not damage the shaft, stronger clamping force than with set collars, even distribution of clamping forces, easy readjustment, precision honed bores.

Tolerance b: +0.08 mm -0.25 mm

Temperature range: -40°C to +175°C.



例 e.g:

080 19 0 4

\*双开槽  
\*Double split  
\*\*材料:C45  
\*\*Material:45  
卡圈宽度  
Width  
内孔直径  
Bore dia

Product No. Steel	Product No. Stainless Steel	Product No. Aluminium	d <sub>1</sub> mm	d <sub>2</sub> mm	R mm	b mm	Screws DIN 912	Weight Steel g	Weight Alum. g
003 09 0 4	003 09 9 4	003 09 6 4	3	16	20.7	9	M3 x 8	12	4
004 09 0 4	004 09 9 4	004 09 6 4	4	16	20.7	9	M3 x 8	11	4
005 09 0 4	005 09 9 4	005 09 6 4	5	16	20.7	9	M3 x 8	11	4
006 09 0 4	006 09 9 4	006 09 6 4	6	16	20.7	9	M3 x 8	10	3
007 09 0 4	007 09 9 4	007 09 6 4	7	18	22.4	9	M3 x 8	13	4
008 09 0 4	008 09 9 4	008 09 6 4	8	18	22.4	9	M3 x 8	12	4
009 09 0 4	009 09 9 4	009 09 6 4	9	24	26	9	M3 x 8	25	9
010 09 0 4	010 09 9 4	010 09 6 4	10	24	26	9	M3 x 8	24	8
011 11 0 4	011 11 9 4	011 11 6 4	11	28	31.8	11	M4 x 12	40	14
012 11 0 4	012 11 9 4	012 11 6 4	12	28	31.8	11	M4 x 12	39	13
013 11 0 4	013 11 9 4	013 11 6 4	13	30	33.9	11	M4 x 12	45	16
014 11 0 4	014 11 9 4	014 11 6 4	14	30	33.9	11	M4 x 12	43	15
015 13 0 4	015 13 9 4	015 13 6 4	15	34	39.4	13	M5 x 14	68	23
016 13 0 4	016 13 9 4	016 13 6 4	16	34	39.4	13	M5 x 14	65	22
017 13 0 4	017 13 9 4	017 13 6 4	17	36	41.2	13	M5 x 14	74	26
018 13 0 4	018 13 9 4	018 13 6 4	18	36	41.2	13	M5 x 14	71	24
019 15 0 4	019 15 9 4	019 15 6 4	19	40	46.4	15	M6 x 16	104	36
020 15 0 4	020 15 9 4	020 15 6 4	20	40	46.4	15	M6 x 16	101	35
021 15 0 4	021 15 9 4	021 15 6 4	21	42	48.1	15	M6 x 16	113	39
022 15 0 4	022 15 9 4	022 15 6 4	22	42	48.1	15	M6 x 16	107	37
023 15 0 4	023 15 9 4	023 15 6 4	23	45	50.8	15	M6 x 16	127	44
024 15 0 4	024 15 9 4	024 15 6 4	24	45	50.8	15	M6 x 16	122	42
025 15 0 4	025 15 9 4	025 15 6 4	25	45	50.8	15	M6 x 16	120	41
026 15 0 4	026 15 9 4	026 15 6 4	26	48	53.7	15	M6 x 18	139	48
028 15 0 4	028 15 9 4	028 15 6 4	28	48	53.7	15	M6 x 18	128	44
030 15 0 4	030 15 9 4	030 15 6 4	30	54	58.6	15	M6 x 18	171	59
032 15 0 4	032 15 9 4	032 15 6 4	32	54	58.6	15	M6 x 18	161	56
034 15 0 4	034 15 9 4	034 15 6 4	34	57	61.6	15	M6 x 18	181	62
035 15 0 4	035 15 9 4	035 15 6 4	35	57	61.6	15	M6 x 18	172	60
036 15 0 4	036 15 9 4	036 15 6 4	36	57	61.6	15	M6 x 18	169	59
038 15 0 4	038 15 9 4	038 15 6 4	38	60	65	15	M6 x 18	183	63
040 15 0 4	040 15 9 4	040 15 6 4	40	60	65	15	M6 x 18	172	59
042 19 0 4	042 19 9 4	042 19 6 4	42	73	79.4	19	M8 x 25	383	132
045 19 0 4	045 19 9 4	045 19 6 4	45	73	79.4	19	M8 x 25	360	124
048 19 0 4	048 19 9 4	048 19 6 4	48	78	84.2	19	M8 x 25	414	143
050 19 0 4	050 19 9 4	050 19 6 4	50	78	84.2	19	M8 x 25	386	133
055 19 0 4	055 19 9 4	—	55	82	88.8	19	M8 x 25	395	—
060 19 0 4	060 19 9 4	—	60	88	94.0	19	M8 x 25	440	—
065 19 0 4	065 19 9 4	—	65	93	99.8	19	M8 x 25	465	—
070 19 0 4	070 19 9 4	—	70	98	104.5	19	M8 x 25	495	—
075 19 0 4	075 19 9 4	—	75	103	109.1	19	M8 x 25	525	—
080 19 0 4	080 19 9 4	—	80	108	113.8	19	M8 x 25	550	—

钢件卡圈备注 Remarks to collars from steel

发黑后的卡圈, 可以更加提高和完全发挥其功能, 并且降低在轴上打滑的可能性和具有防松防卡死的特性。此

外发黑氧化层还能起防锈作用, 再加上使用高强度的锁紧螺丝, 能更有效的锁定在轴上。

The black oxide on the clamping collars is formulated as part of the total performance of the product. It enhances the holding ability of the collar, it efficiently reduces slipping on the

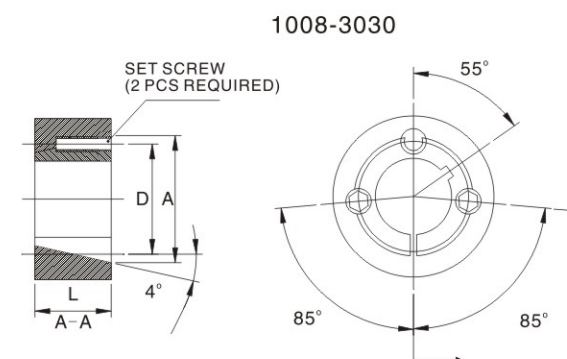
shaft, has anti-stick-slip characteristics and helps to keep the torque rating of the screw within its designed parameters. The oxide layer also provides corrosion protection.

\*\* "0" C45 "6" 铝合金 6061 "9" 不锈钢 1.4301

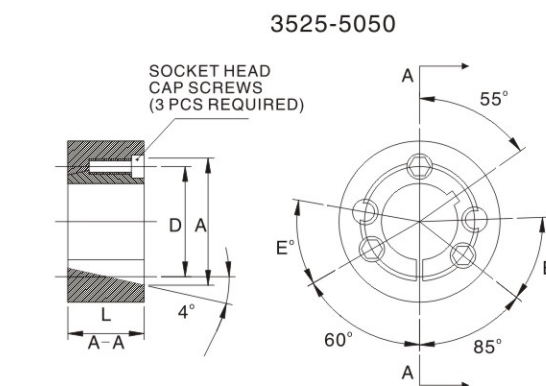
\* "0" 无开槽 \*Without split "1" 单开槽 Single split "4" 双开槽 Double split

www.silvertech.com.hk

STI 高品质锥套  
HIGH QUALITY TAPER BUSH



1008-3030



3525-5050

BUSH No.	L	A	D	SET SCREWS DIA × LENGTH
1008	7/8	1.386	1-21/64	1/4×1/2
1108	7/8	1.511	1-29/64	1/4×1/2
1210	1	1-7/8	1-3/4	3/8×5/8
1610	1	2-1/4	2-1/8	3/8×5/8
1615	1-1/2			
2012	1-1/4	2-3/4	2-5/8	7/16×7/8
2517	1-3/4	3-3/8	3-1/4	1/2×1
3020	2	4-1/4	4	5/8×1-1/4
3030	3			

BUSH No.	L	A	D	SET SCREWS CAP SCREWS DIA × LENGTH	E°
3525	2-1/2	5	4.83	1/2×1-1/2	40°
3535	3-1/2				
4030	3	5-3/4	5.54	5/8×1-3/4	40°
4040	4				
4535	3-1/2	6-3/8	6.13	3/4×2	40°
4545	4-1/2				
5040	4	7	6.72	7/8×2-1/4	37°
5050	5				